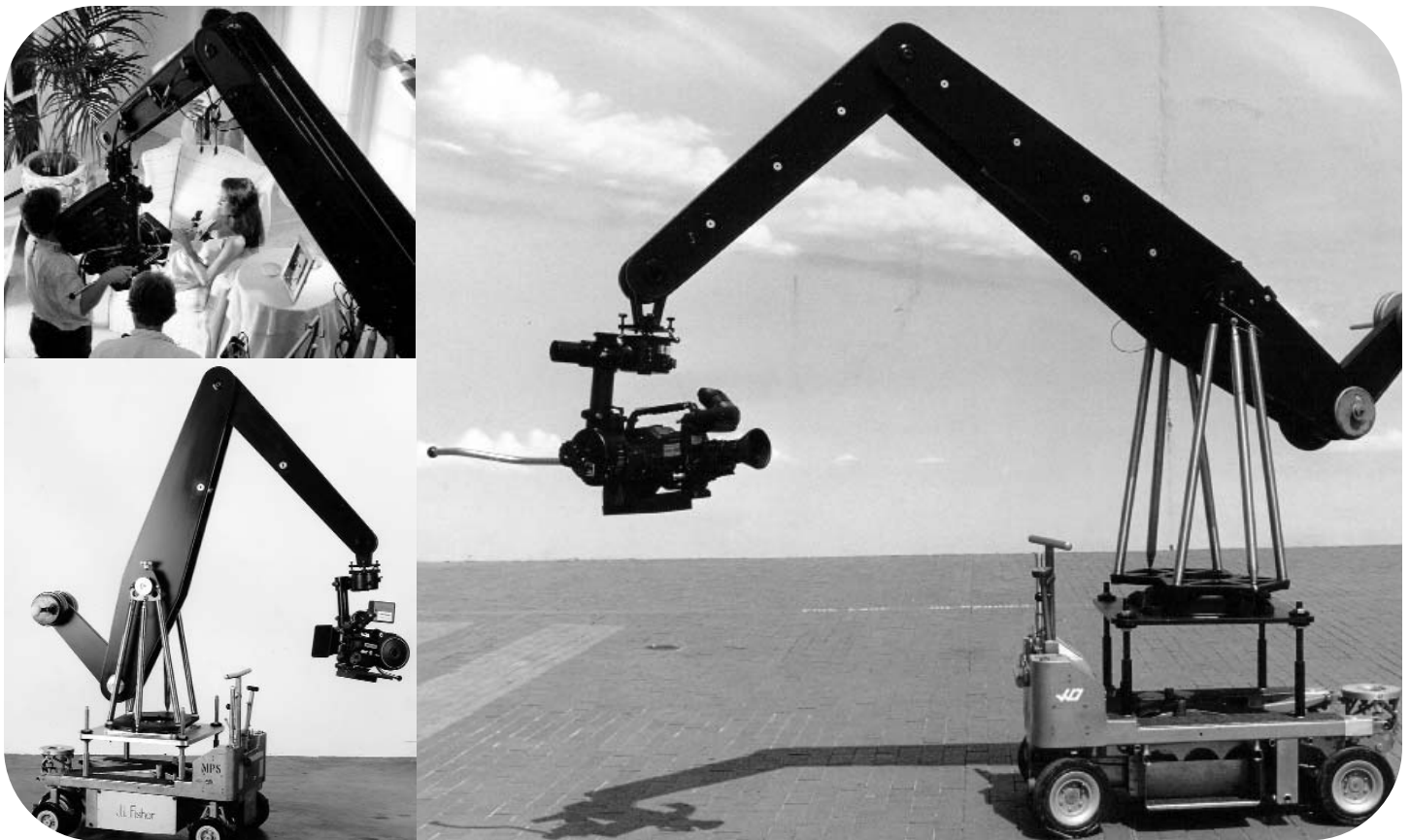


# Zero Gravity Arm



## Fly Your Camera in All Directions

### WEIGHTLESS

Z-Jib's unique design permits a weightless control of the camera. Suspended by a unique arm, the camera can go from below ground level to over 8 or 11 feet overhead. Fully extended, the arm can rotate in a 16' or 22' circle. Once the unit is set, many new positions can be achieved instantly.

### FLUID REACH

The Z-Jib Arm allows 8' or 11' of reach from the base. Designed to support loads up to 130 lbs, the unit is ready to accept a camera package, as well as a standard fluid head or other pan and tilt devices. Innovision offers a Weaver-Steadman underslung fluid head for the ultimate in continuous fluid moves.

### WAITLESS SETUP

The unit sets up from packed cases to full rigging, ready for your camera, in about 20 minutes. Innovision offers free setup training, or you can request a setup technician. The unit comes packed in 2 cases weighing 300 lbs each, plus a weight cart that weighs 400 lbs

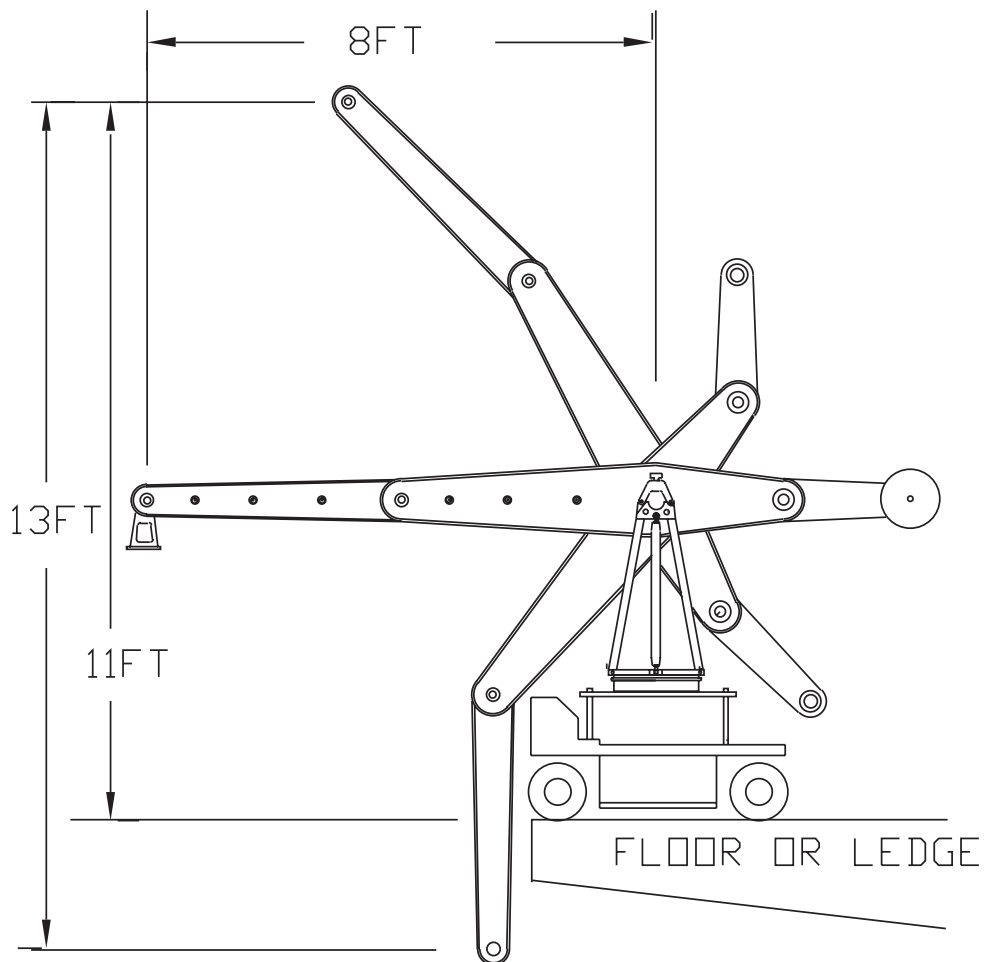
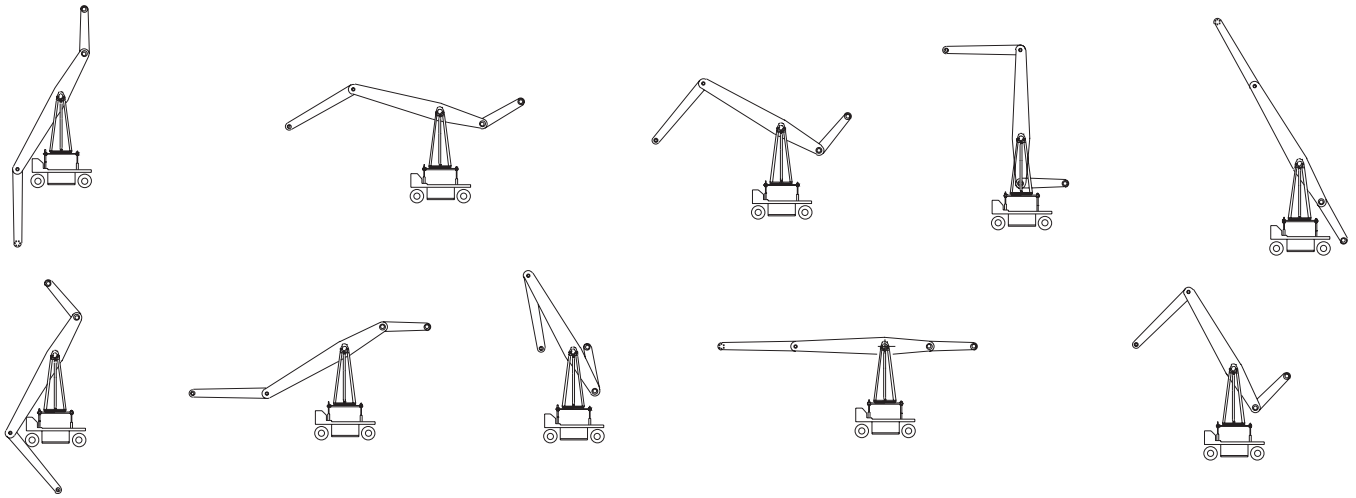
### NOTES

- \* Designed for popular dollies including Fisher 10, Chapman Hybrid, Chapman Hy-Hy.
- \* Works with Weaver-Steadman fluid heads.
- \* No technician required. Free Assembly training.
- \* Requires 20' of battery and camera cabling to reach from your camera base to the yoke.

**innovision**<sup>®</sup>  
**OPTICS**

1719 21st Street Santa Monica  
California 90404 USA  
Telephone: 310-453-4866  
[www.innovisionoptics.com](http://www.innovisionoptics.com)

# Zero Gravity Arm



**innovision**<sup>®</sup>  
OPTICS

1719 21st Street Santa Monica  
California 90404 USA  
Telephone: 310-453-4866  
[www.innovisionoptics.com](http://www.innovisionoptics.com)